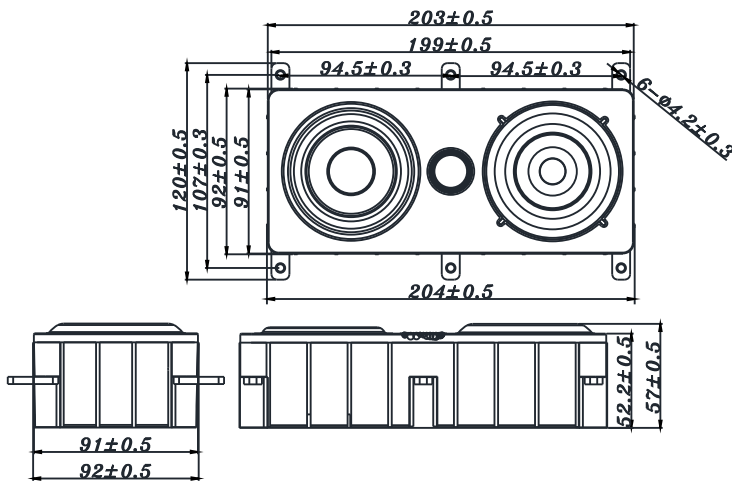


MODULE

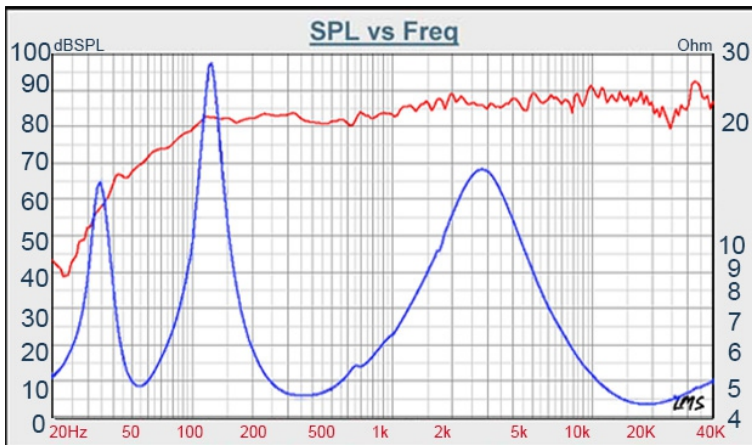
TW3-2402S



- A COMPLETE 2-WAY HIFI SMALL SPEAKER (SOUND MODULE)
- APPLYING ALU-MAG CONE, CLEAR AND BRIGHT SOUND, EXCELLENT TRANSIENT AND FREQUENCY RESPONSE.
- HI-RES TWEETER, HIGH FREQUENCY REACHES UP TO 40KHZ SMOOTHLY.
- LONG STROKE, HIGH POWER WOOFER WITH NEO MAGNETIC MOTOR
- PATENTED PASSIVE RADIATOR ENHANCES THE POWER OF BASS, REACH 55HZ.
- 6dB FREQUENCY DIVISION DESIGN, NO PHASE PROBLEM.
- HIGH FIDELITY AND RESOLUTION, SUITABLE FOR NEAR-FIELD DESKTOP AND MONITORING APPLICATIONS.
- BUILT-IN CROSSOVER, CROSSOVER POINT: 3.5K HZ

SYSTEM SPECIFICATION

SYSTEM	Passive radiator design
ACTIVE DRIVER(WF)	3" dome shape driver
ACTIVE DRIVER(TW)	18mm dome shape driver
DIAPHRAGM	Alum. composite with elastomer
HOUSING	PP composite material
FINISH	Black
DIMENSIONS	204 x 120 x 57mm
VOICE COIL DIAMETER(WF)	25.4 mm
VOICE COIL DIAMETER(TW)	18.28 mm
IMPEDANCE	4 ohm
POWER LOADING	20 W (RMS)
MUSIC POWER	40 W
RESPONSE RANGE	55Hz - 40KHz
SENSITIVITY 1W / 1m	83 dB
F _s	55 Hz
POWER RECOMMENDED	50 W (RMS)
DESIGN SUGGESTION	High pass filter with 45Hz, -12dB/oct



TB SPEAKERS

VOICE:886.2.26570282 FAX:886.2.26580166
E-MAIL :info@tb-speaker.com