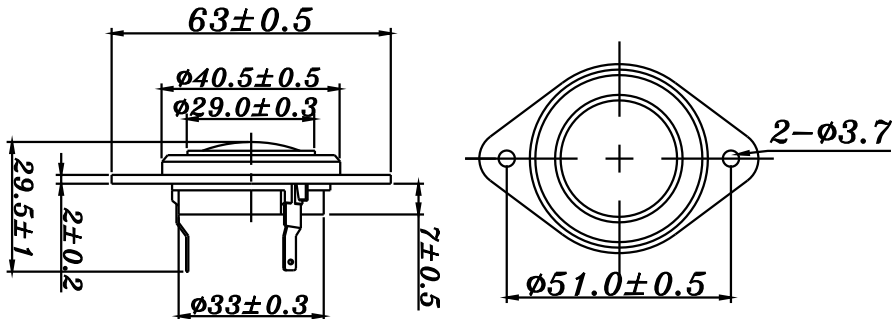


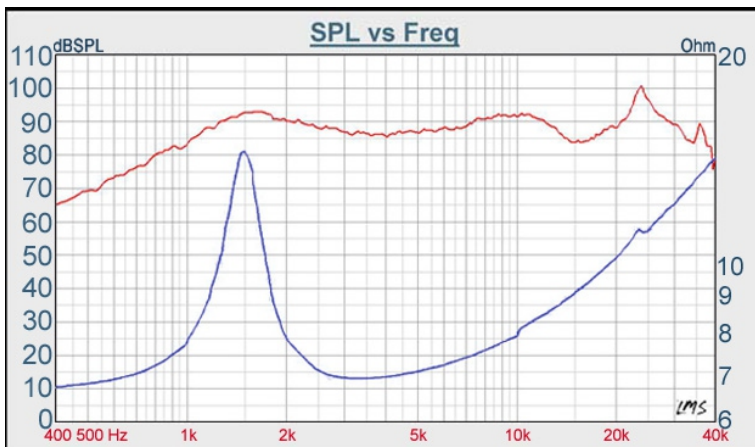
TW SERIES

25-381SA



- TITANIUM DOME DIAPHRAGM WITH FABRIC SURROUND
- FERROFLUID COOLED
- NEODYMIUM MAGNET DESIGN
- ABS FRONT PANEL
- AVAILABLE TO FIT ANY BAFFLE FOR GOOD RESPONSE
- CCAW VOICE COIL

1" TITANIUM DOME / NEODYMIUM TWEETER



DIAPHRAGM MTL	Titanium
SURROUND MTL	Fabric
NOMINAL IMPEDANCE	8 Ω
DCR IMPEDANCE	6 Ω
SENSITIVITY 1W/1m	90 dB
FREQUENCY RESPONSE	1500k -25K Hz
FREE AIR RESONANCE	1500 Hz
VOICE COIL DIAMETER	25 mm
AIR GAP HEIGHT	2 mm
RATED POWER INPUT	8 W
MAXIUMU POWER INPUT	80 W
FORCE FACTOR, BL	N/A
TYPE OF MAGNET	Neodymium
MOVING MASS	N/A
FERROFLUID ENHANCED	Yes
SUSPENSION COMPLIANCE	N/A
EFFECTIVE PISTON AREA	N/A
Levc	N/A
Zo	N/A
X-max	N/A
Vas	N/A
Qts	N/A
Qms	N/A
Qes	N/A

VOICE: 886.2.26570282 FAX: 886.2.26580166
E-MAIL: info@tb-speaker.com