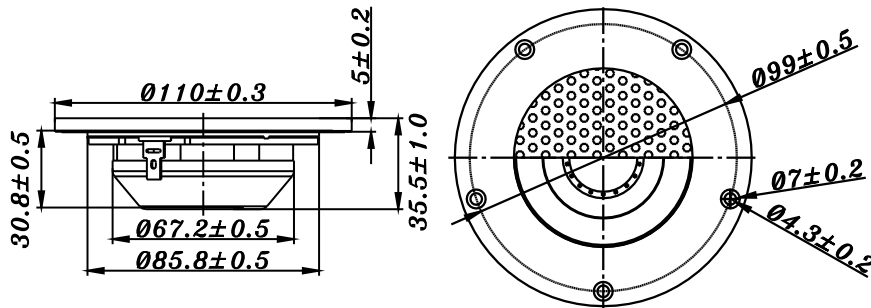


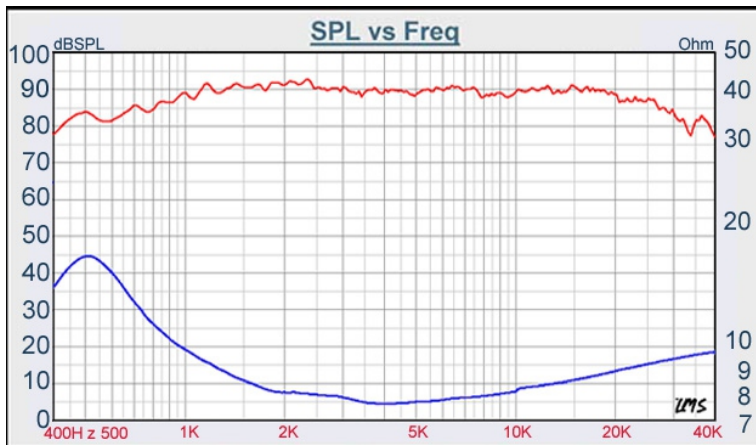
# TW SERIES

# 25-1983



- REVERSE COATED TITANIUM DOME DIAPHRAGM WITH FOAM RUBBER SURROUND
- FERROFLUID COOLED
- NEODYMIUM MAGNET SYSTEM, HIGH SPL OF 90dB/M/W
- ALUMINIUM FRONT PANEL
- VERY WIDE DISPERSION ANGLE
- FREQUENCY RESPONSE OF 500Hz - 40K Hz
- SHORT RING TREATED, VERY LOW 2<sup>nd</sup> and 3<sup>rd</sup> DISTORTION

## 1" TITANIUM DOME / NEODYMIUM TWEETER



DIAPHRAGM MTL	Coated Titanium
SURROUND MTL	Foam Rubber
NOMINAL IMPEDANCE	8 $\Omega$
DCR IMPEDANCE	6 $\Omega$
SENSITIVITY 1W/1m	90 dB
FREQUENCY RESPONSE	500- 40K Hz
FREE AIR RESONANCE	500 Hz
VOICE COIL DIAMETER	25.4 mm
AIR GAP HEIGHT	2.5 mm
RATED POWER INPUT	8 W
MAXIMUM POWER INPUT	80 W
FORCE FACTOR, BL	N/A
TYPE OF MAGNET	Neodymium
MOVING MASS	N/A
FERROFLUID ENHANCED	Yes
SUSPENSION COMPLIANCE	N/A
EFFECTIVE PISTON AREA	N/A
Levc	0.004 mh
ZO	18 $\Omega$
X-max	N/A
Vas	N/A
Qts	N/A
Qms	N/A
Qes	N/A

**TB SPEAKERS**

VOICE: 886.2.26570282 FAX: 886.2.26580166  
E-MAIL: info@tb-speaker.com