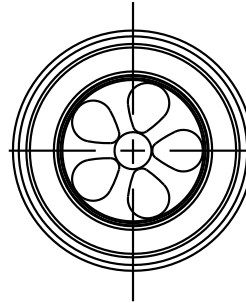
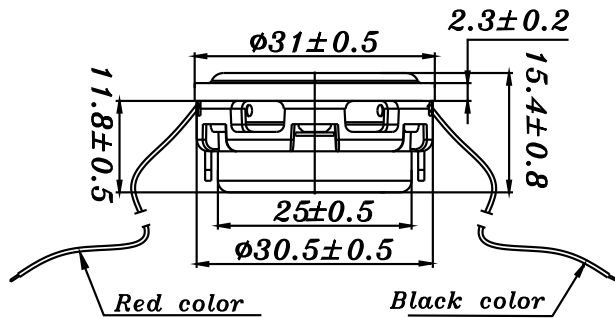


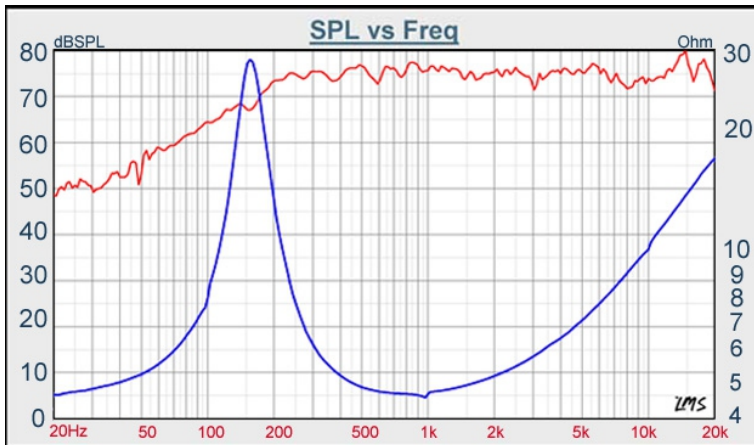
F SERIES

W1-1815SA



- THE HIGHEST PERFORMANCE OF INNOVATIVE, TINY FULL RANGE DRIVER DESIGN
- OUTSIDE DIAMETER OF 31mm, Fo:170Hz
- ALUMINIUM DIAPHRAGM WITH SANTOPRENE SURROUND
- NEODYMIUM MAGNET SYSTEM
- PATENTED PRODUCT WITH EXCELLENT CONSISTENCY
- IT'S GOOD FOR MULTIMEDIA APPLICATION

1" ALUM, FULL RANGE



DIAPHRAGM MTL	Aluminium
SURROUND MTL	Santoprene
NOMINAL IMPEDANCE	4 Ω
DCR IMPEDANCE	3.6 Ω
SENSITIVITY 1W/1m	76 dB
FREQUENCY RESPONSE	170 -20K Hz
FREE AIR RESONANCE	170 Hz
VOICE COIL DIAMETER	19.4 mm
AIR GAP HEIGHT	1.5 mm
RATED POWER INPUT	2 W
MAXIMUM POWER INPUT	4 W
FORCE FACTOR, BL	2.13 TM
TYPE OF MAGNET	Neodymium
MOVING MASS	0.769 g
FERROFLUID ENHANCED	YES
SUSPENSION COMPLIANCE	1370 uMN ⁻¹
EFFECTIVE PISTON AREA	0.00045 M ²
Levc	0.064 mH
Zo	26 Ω
X-max	1.25 mm
Vas	0.038 Litr
Qts	0.53
Qms	4.13
Qes	0.598



VOICE:886.2.26570282 FAX:886.2.26580166
E-MAIL :info@tb-speaker.com