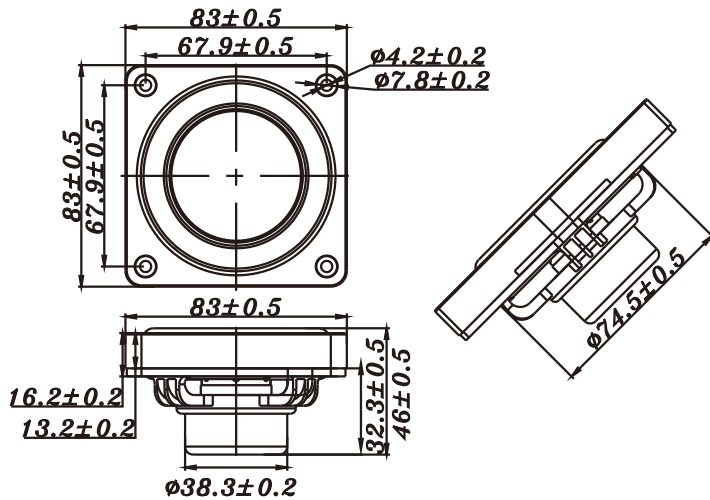


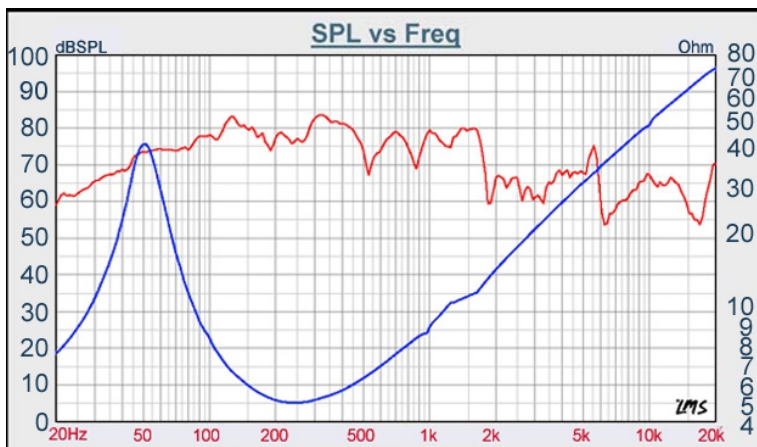
SU SERIES

W3-2052S



- 3 INCH OF SMALL SUBWOOFER DESIGN
- LONG THROW OF $X_{max} = 5\text{mm}$, $FO = 50\text{Hz}$
- OVERHUNG MOTOR DESIGN, NEODYMIUM MAGNET SYSTEM
- PATENTED STRUCTURE DESIGN
- NEW MATERIAL APPLIED WITH INJECTION ASSEMBLY PROCESS

3" SUBWOOFER



DIAPHRAGM MTL	PP
SURROUND MTL	Santoprene
NOMINAL IMPEDANCE	4 Ω
DCR IMPEDANCE	3.9 Ω
SENSITIVITY 1W/1M	78 dB
FREQUENCY RESPONSE	50 - 1.6 KHz
FREE AIR RESONANCE	50 Hz
VOICE COIL DIAMETER	25.4 mm
AIR GAP HEIGHT	3 mm
RATED POWER INPUT	15 W
MAXIMUM POWER INPUT	30 W
FORCE FACTOR, BL	6.76 TM
TYPE OF MAGNET	Neodymium
MOVING MASS	11.97 g
FERROFLUID ENHANCED	No
SUSPENSION COMPLIANCE	614.73 μMN^{-1}
EFFECTIVE PISTON AREA	0.0032 M^2
Levc	0.31 mH
Zo	40 Ω
Xmax	5 mm
Vas	0.89 Liter
Qts	0.34
Qms	3.39
Qes	0.38



VOICE: 886.2.26570282 FAX: 886.2.26580166
E-MAIL: info@tb-speaker.com