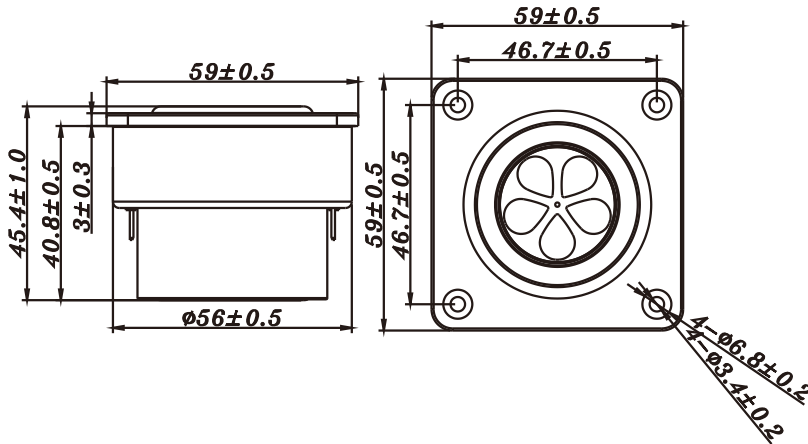


# MODULE

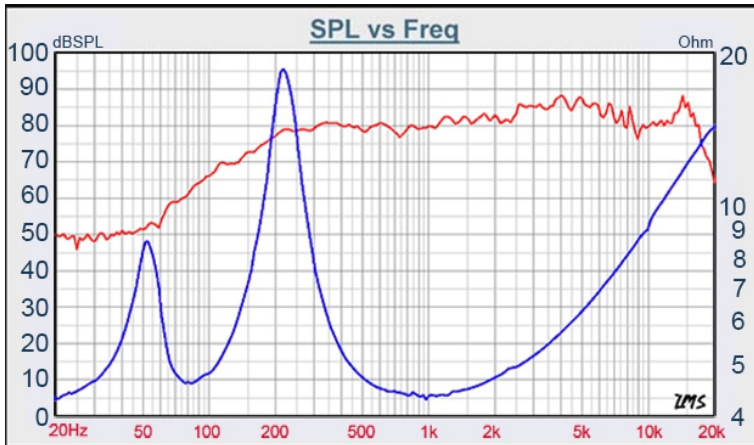
# T1-1828SD



- COMPREHENSIVE SOLUTION FOR AUDIO DESIGN.
- COMBINE DRIVER, PASSIVE RADIATOR AND BOX AS ONE UNIT, PATENTED.
- SLIM AND TINY, LOW BASS  $F_s = 75$  Hz.
- MODULE COULD BE RESHAPED TO FIT CUSTOMER'S APPLICATION.
- GOOD FOR PORTABLE, SOUNDBAR, MULTIMEDIA... APPLICATION.

## SYSTEM SPECIFICATION

SYSTEM	Passive radiator design
ACTIVE DRIVER	46mm inverted shape driver
DIAPHRAGM	Alum.composite with elastomer
HOUSING	PP composite material
FINISH	Black
DIMENSIONS	59 x 59 x 45.4 mm
VOICE COIL DIAMETER	28 mm
IMPEDANCE	4ohm
POWER LOADING	4 W(RMS)
MUSIC POWER	8 W
RESPONSE RANGE	75Hz - 20KHz
SENSITIVITY 1W /1m	80 dB
$F_s$	75 Hz
POWER RECOMMENDED	5 W (RMS)
DESIGN SUGGESTION	High pass filter with 80 Hz, -12dB/oct



**TB** SPEAKERS

VOICE:886.2.26570282 FAX:886.2.26580166  
E-MAIL :info@tb-speaker.com