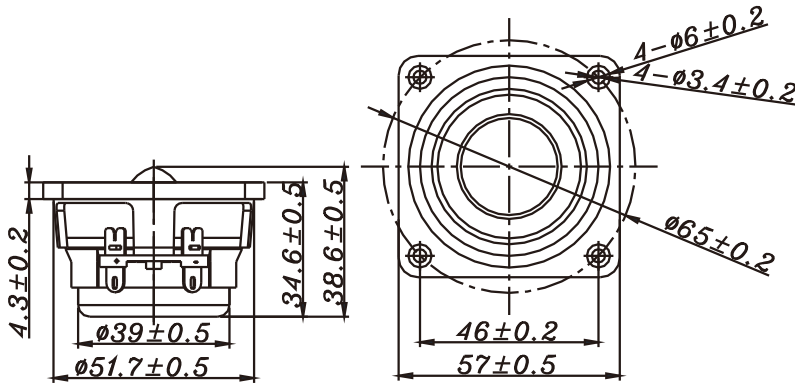


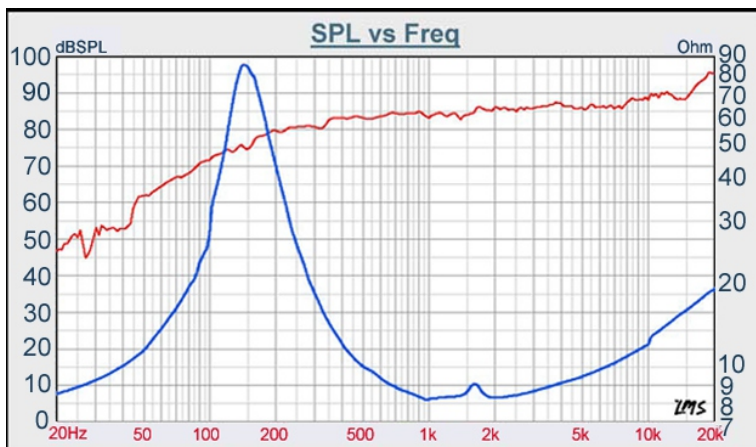
F SERIES

W2-835SL



- FULL RANGE DESIGN
- ABS BASKET
- NEODYMIUM DESIGN
- PAPER CONE WITH TPR SURROUND
- GOOD FOR CAR, HOME THEATER, MULTIMEDIA APPLICATION

2" PAPER FULL RANGE



DIAPHRAGM MTL	Paper
SURROUND MTL	TPR
NOMINAL IMPEDANCE	8 Ω
DCR IMPEDANCE	7.2 Ω
SENSITIVITY 1W/1m	86 dB
FREQUENCY RESPONSE	160-20K Hz
FREE AIR RESONANCE	160 Hz
VOICE COIL DIAMETER	25.4 mm
AIR GAP HEIGHT	3 mm
RATED POWER INPUT	10 W
MAXIMUM POWER INPUT	20 W
FORCE FACTOR, BL	4.66 TM
TYPE OF MAGNET	Neodymium
MOVING MASS	1 g
FERROFLUID ENHANCED	No
SUSPENSION COMPLIANCE	985 μMN^{-1}
EFFECTIVE PISTON AREA	0.0013 M^2
Levc	0.05 mH
Zo	58 Ω
X-max	1.0 mm
Vas	0.24 Liter.
Qts	0.3
Qms	2.83
Qes	0.33



VOICE: 886.2.26570282 FAX: 886.2.26580166
E-MAIL: info@tb-speaker.com