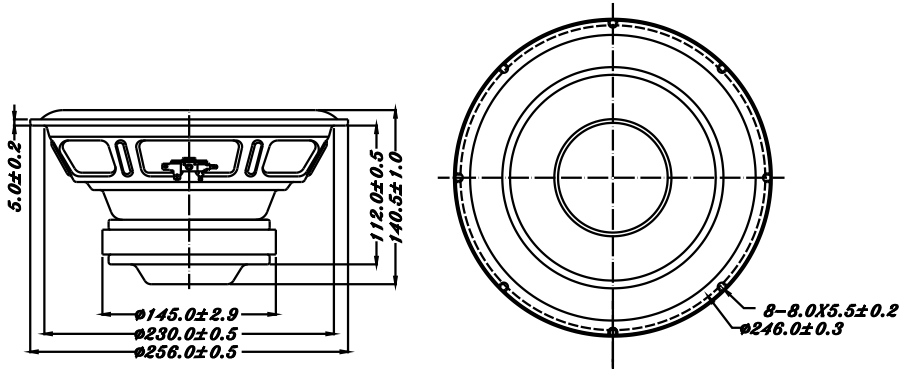


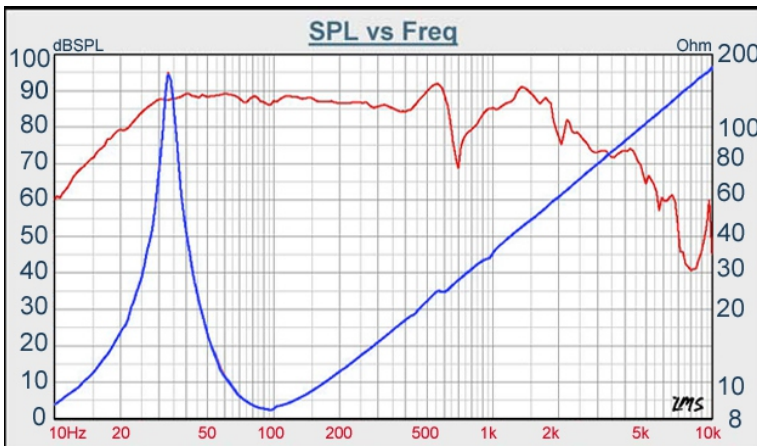
PA SERIES

WT-644F



- LONG THROW HIGH POWER LOADING DESIGN (Xmax=9.25mm)
- PAPER CONE WITH FOAM SURROUND (LIGHT WEIGHT & HIGH STIFFNESS)
- STAMPED STEEL BASKET, VENTED POLE PIECE
- SUITABLE FOR SUBWOOFER APPLICATION
- TWIN TERMINAL DESIGN ($3.2\Omega + 3.2\Omega$)

10" PAPER SUBWOOFER Serial wiring



DIAPHRAGM MTL	Paper
SURROUND MTL	Foam
NOMINAL IMPEDANCE	8 Ω
DCR IMPEDANCE	(3.2 + 3.2) Ω
SENSITIVITY 1W/1m	88 dB
FREQUENCY RESPONSE	32 - 600 Hz
FREE AIR RESONANCE	32 Hz
VOICE COIL DIAMETER	50 mm
AIR GAP HEIGHT	8 mm
RATED POWER INPUT	180 W
MAXIMUM POWER INPUT	360 W
FORCE FACTOR, BL	14.54 TM
TYPE OF MAGNET	Ferrite
MOVING MASS	69.85 g
FERROFLUID ENHANCED	No
SUSPENSION COMPLIANCE	342.27 μMN^{-1}
EFFECTIVE PISTON AREA	0.035 M^2
Levc	1.67 mH
Zo	181 Ω
X-max	9.25 mm
Vas	59.54 Litr
Qts	0.42
Qms	11.19
Qes	0.43

TB SPEAKERS

P.O. BOX 10-53 NEI HU, TAIPEI, TAIWAN
VOICE 886.2.26570282 FAX 886.2.26580166