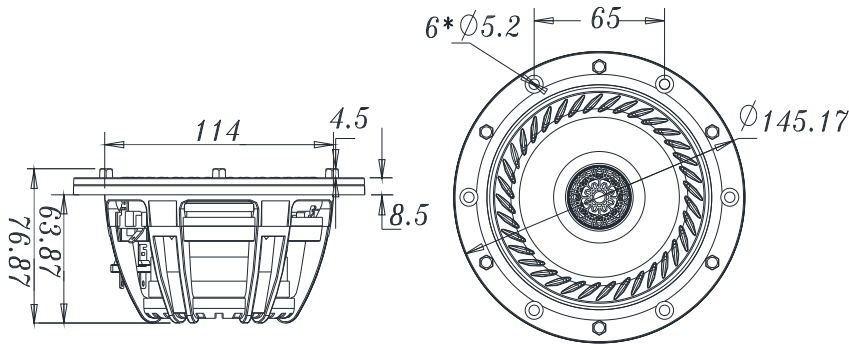


F SERIES

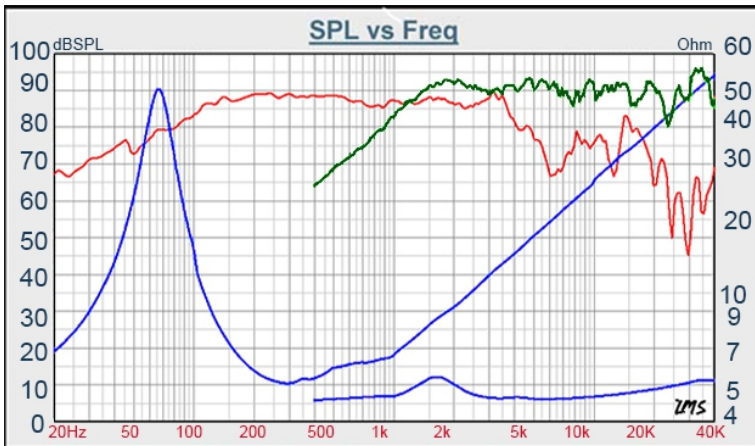
W4-2315



- 20mm TWEETER WITH 4.5" WOOFER COAXIAL SPEAKER DESIGN.
- UNDERHUNG MOTOR DESIGN WITH NEODYMIUM MAGNET TO REACH LOW THD (2nd, 3rd HARMONIC DISTORTION).
- BAMBOO FIBER PAPER CONE WITH DURABLE RUBBER SURROUND.
- ALUMINUM / MAGNESIUM ALLOY MEMBRANE WITH BACK CHAMBERS DESIGN TO PERFORM 1600 UP TO 40KHZ.

4.5" PAPER COAXIAL FULL RANGE

DIAPHRAGM MTL	Paper
SURROUND MTL	Rubber
NOMINAL IMPEDANCE	4 Ω
DCR IMPEDANCE	3.6 Ω
SENSITIVITY 1W/1M	88 dB
FREQUENCY RESPONSE	65Hz-40 K Hz
FREE AIR RESONANCE	65 Hz
VOICE COIL DIAMETER	32 mm
AIR GAP HEIGHT	12 mm
RATED POWER INPUT	30 W
MAXIMUM POWER INPUT	60 W
FORCE FACTOR, BL	6.20 TM
TYPE OF MAGNET	Neodymium
MOVING MASS	8.09 g
FERROFLUID ENHANCED	No
SUSPENSION COMPLIANCE	733.04 uMN ⁻¹
EFFECTIVE PISTON AREA	0.0069 M ²
Levc	0.09 mH
Zo	50 Ω
Xmax	2.8 mm
Vas	4.96 Litr
Qts	0.29
Qms	3.68
Qes	0.31



VOICE: 886.2.26570282 FAX: 886.2.26580166
E-MAIL: info@tb-speaker.com