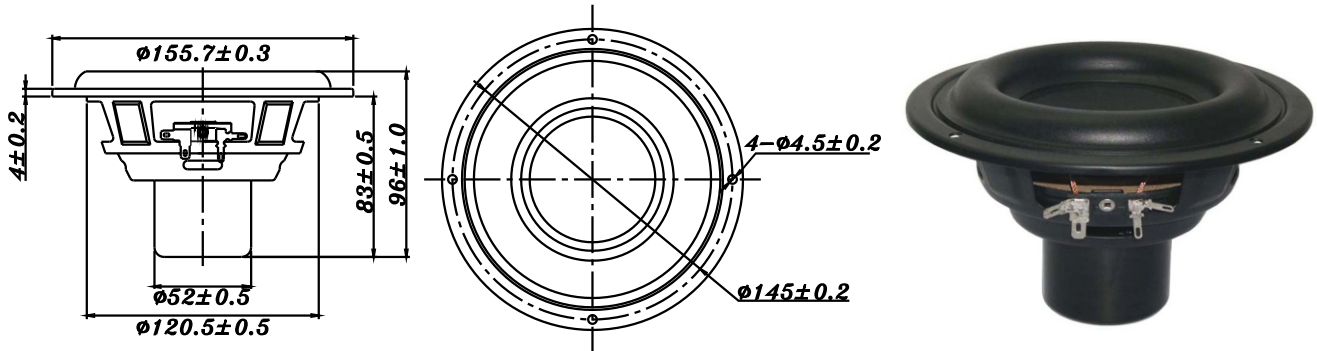


# SU SERIES

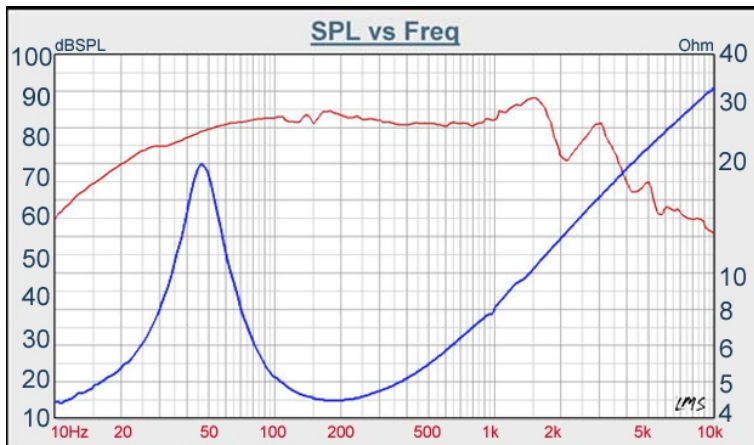
# W5-1138SM



- LONG-THROW HIGH-POWER LOADING DESIGN ( X-max=9.25mm)
- PAPER CONE WITH BIG ROLL, LESS DAMPING RUBBER SURROUND
- VENTED POLE PIECE
- STAMPING STEEL BASKET
- SUITABLE FOR SUBWOOFER APPLICATION

## 5" PAPER SUBWOOFER

DIAPHRAGM MTL	Paper
SURROUND MTL	Rubber
NOMINAL IMPEDANCE	4 Ω
DCR IMPEDANCE	3.4 Ω
SENSITIVITY 1W/1m	82 dB
FREQUENCY RESPONSE	45 -1.5 K Hz
FREE AIR RESONANCE	45 Hz
VOICE COIL DIAMETER	32 mm
AIR GAP HEIGHT	5 mm
RATED POWER INPUT	30 W
MAXIMUM POWER INPUT	60 W
FORCE FACTOR, BL	6.64 TM
TYPE OF MAGNET	Neodymium
MOVING MASS	24.95 g
FERROFLUID ENHANCED	No
SUSPENSION COMPLIANCE	389.517 $\mu\text{MN}^{-1}$
EFFECTIVE PISTON AREA	0.0094 M <sup>2</sup>
Levc	0.171 mH
Zo	20 Ω
X-max	9.25 mm
Vas	4.89 Litr
Qts	0.50
Qms	2.59
Qes	0.62



# TB SPEAKERS

VOICE:886.2.26570282 FAX:886.2.26580166  
E-MAIL :info@tb-speaker.com