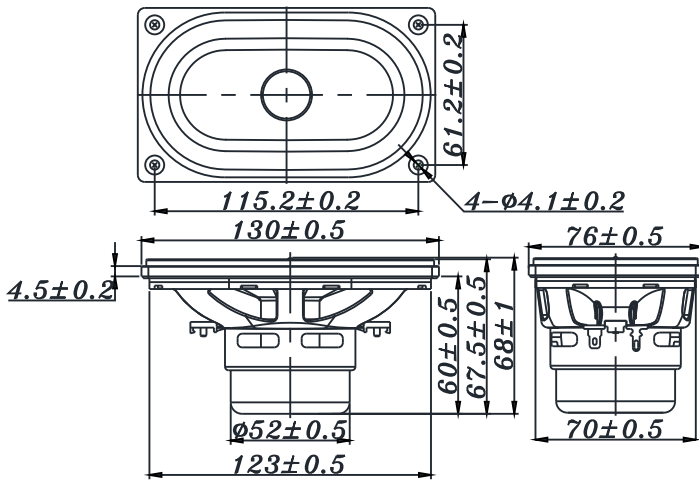


F SERIES

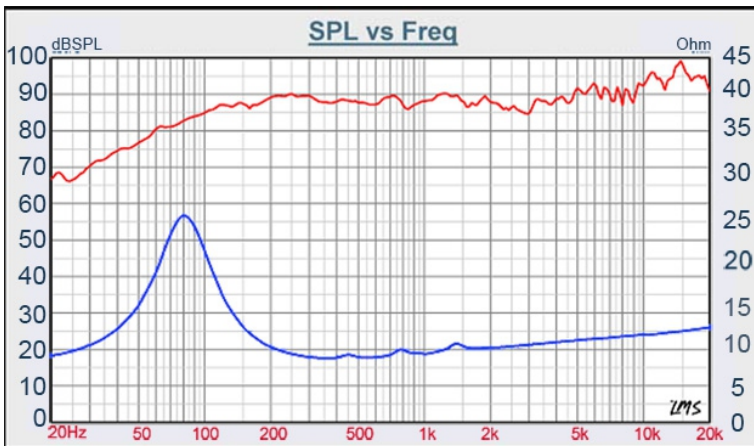
W35-1315SJ



- FULL RANGE DESIGN
- GF REINFORCED NYLON , NEODYMIUM DESIGN
- ALUMINIUM PHASE PLUG COOLING
- PPM CONE WITH SANTOPRENE SURROUND
- GOOD FOR CAR, HOME THEATER, MULTIMEDIA APPLICATION
- MAGNETICALLY SHIELDED

3*5" PPM FULL RANGE

DIAPHRAGM MTL	Black color PPM
SURROUND MTL	Santoprene
NOMINAL IMPEDANCE	8 Ω
DCR IMPEDANCE	6.8 Ω
SENSITIVITY 1W/1m	87 dB
FREQUENCY RESPONSE	80-20 K Hz
FREE AIR RESONANCE	80 Hz
VOICE COIL DIAMETER	25.4 mm
AIR GAP HEIGHT	10 mm
RATED POWER INPUT	20 W
MAXIMUM POWER INPUT	40 W
FORCE FACTOR, BL	4.02 TM
TYPE OF MAGNET	Neodymium
MOVING MASS	2.99 g
FERROFLUID ENHANCED	No
SUSPENSION COMPLIANCE	1316 μMN ⁻¹
EFFECTIVE PISTON AREA	0.0047 M ²
Levc	0.009 mH
Zo	26 Ω
X-max	3 mm
Vas	4.13 Litr
Qts	0.47
Qms	1.75
Qes	0.63



VOICE 886.2.26570282 FAX 886.2.26580166
E-MAIL: info@tb-speaker.com