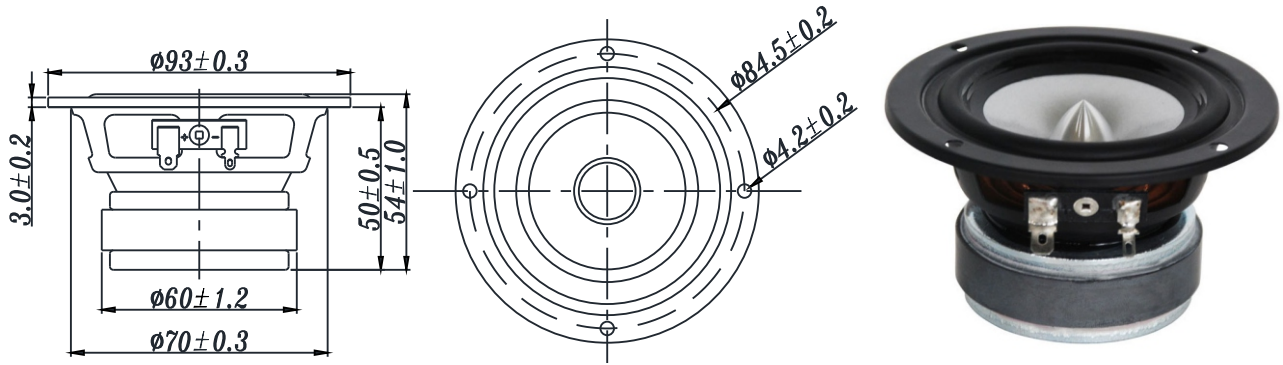


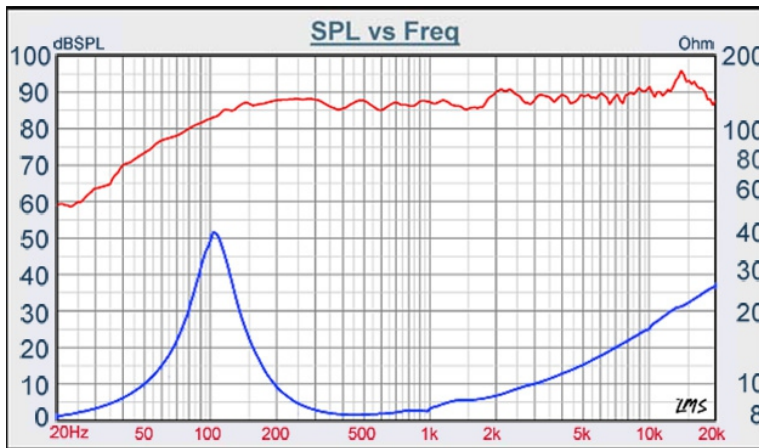
# F SERIES

# W3-871B



- FULL RANGE FREQUENCY RESPONSE
- ROUND STAMPING STEEL BASKET
- PAPER CONE WITH SANTOPRENE SURROUND
- ALUMINUM PHASE PLUG COOLING

## 3" PAPER FULL RANGE



DIAPHRAGM MTL	Silver Paper
SURROUND MTL	Santoprene
NOMINAL IMPEDANCE	8 $\Omega$
DCR IMPEDANCE	6.6 $\Omega$
SENSITIVITY 1W/1m	86 dB
FREQUENCY RESPONSE	110 - 20K Hz
FREE AIR RESONANCE	110 Hz
VOICE COIL DIAMETER	18.4 mm
AIR GAP HEIGHT	6 mm
RATED POWER INPUT	10 W
MAXIMUM POWER INPUT	20 W
FORCE FACTOR, BL	3.69 TM
TYPE OF MAGNET	Ferrite
MOVING MASS	2 g
FERROFLUID ENHANCED	No
SUSPENSION COMPLIANCE	1215 $\mu\text{MN}^{-1}$
EFFECTIVE PISTON AREA	0.0032 $\text{M}^2$
Levc	0.078 mH
Zo	42 $\Omega$
X-max	0.50 mm
Vas	1.177 Litr
Qts	0.52
Qms	3.33
Qes	0.62

**TB** SPEAKERS

VOICE:886.2.26570282 FAX:886.2.26580166  
E-MAIL :info@tb-speaker.com