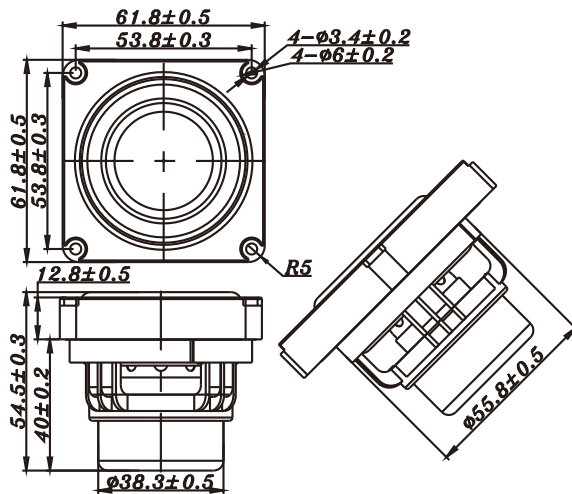


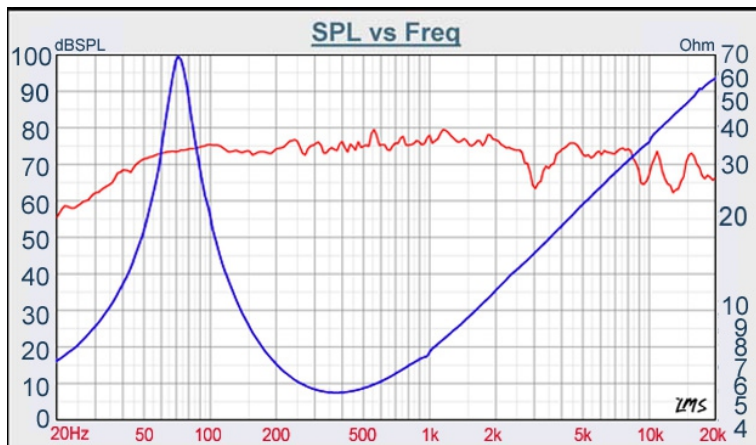
SU SERIES

W2-2040S



- 2INCH OF SMALL SUBWOOFER DESIGN
- LONG THROW OF $X_{max}=5.3\text{mm}$, $FO=75\text{Hz}$,
- PATENTED STRUCTURE DESIGN
- NEW MATERIAL APPLIED WITH INJECTION ASSEMBLY PROCESS
- NEODYMIUM MAGNET SYSTEM
- MULTI-MEDIA, HOME HI-FI APPLICATION

2" SUBWOOFER



DIAPHRAGM MTL	PP
SURROUND MTL	Santoprene
NOMINAL IMPEDANCE	4 Ω
DCR IMPEDANCE	3.5 Ω
SENSITIVITY 1W/1M	76 dB
FREQUENCY RESPONSE	75 - 2 KHz
FREE AIR RESONANCE	75 Hz
VOICE COIL DIAMETER	25.4 mm
AIR GAP HEIGHT	3 mm
RATED POWER INPUT	10 W
MAXIMUM POWER INPUT	20 W
FORCE FACTOR, BL	6.35 TM
TYPE OF MAGNET	Neodymium
MOVING MASS	6.99 g
FERROFLUID ENHANCED	No
SUSPENSION COMPLIANCE	694.80 μMN^{-1}
EFFECTIVE PISTON AREA	0.0014 M^2
Levc	0.25 mH
Zo	70 Ω
Xmax	5.3 mm
Vas	0.19 Litr
Qts	0.26
Qms	5.21
Qes	0.28



VOICE: 886.2.26570282 FAX: 886.2.26580166
E-MAIL: info@tb-speaker.com