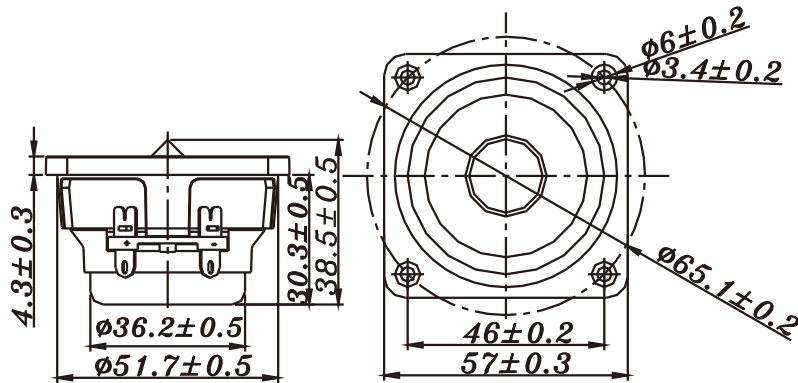


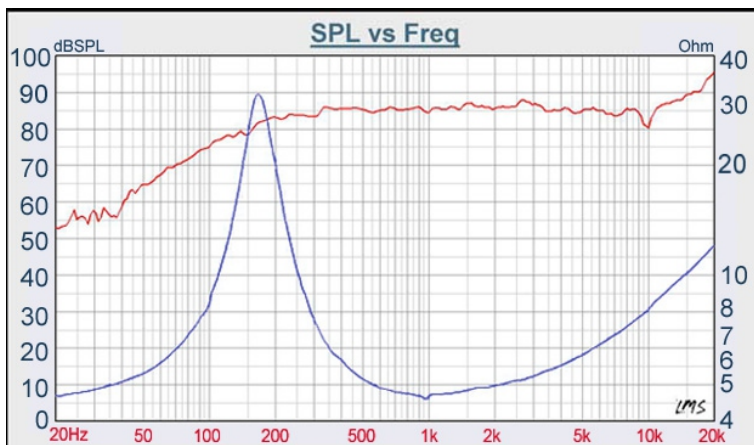
# F SERIES

# W2-803SM



- FULL RANGE DESIGN
- ABS BASKET, MAGNETICALLY SHIELDED
- SILVER PPM CONE WITH R SHAPE TPR SURROUND
- NEODYMIUM MAGNET DESIGN
- GOOD FOR CAR, HOME THEATER, MULTIMEDIA APPLICATION
- SPECIAL ALUMINUM PHASE PLUG TO PROVIDE WIDER DISPERSION AND HEAT SINK

## 2" PPM FULL RANGE



DIAPHRAGM MTL	Silver PPM
SURROUND MTL	TPR
NOMINAL IMPEDANCE	4 $\Omega$
DCR IMPEDANCE	3.6 $\Omega$
SENSITIVITY 1W/1m	85 dB
FREQUENCY RESPONSE	160-20K Hz
FREE AIR RESONANCE	160 Hz
VOICE COIL DIAMETER	20.4 mm
AIR GAP HEIGHT	3.0 mm
RATED POWER INPUT	8 W
MAXIMUM POWER INPUT	16 W
FORCE FACTOR, BL	2.69 TM
TYPE OF MAGNET	Neodymium
MOVING MASS	0.87 g
FERROFLUID ENHANCED	No
SUSPENSION COMPLIANCE	1051 $\mu\text{MN}^{-1}$
EFFECTIVE PISTON AREA	0.0013 $\text{M}^2$
Levc	0.04 mH
Zo	33 $\Omega$
X-max	0.85 mm
Vas	0.25 Liter
Qts	0.40
Qms	3.56
Qes	0.46



VOICE: 886.2.26570282 FAX: 886.2.26580166  
E-MAIL: info@tb-speaker.com