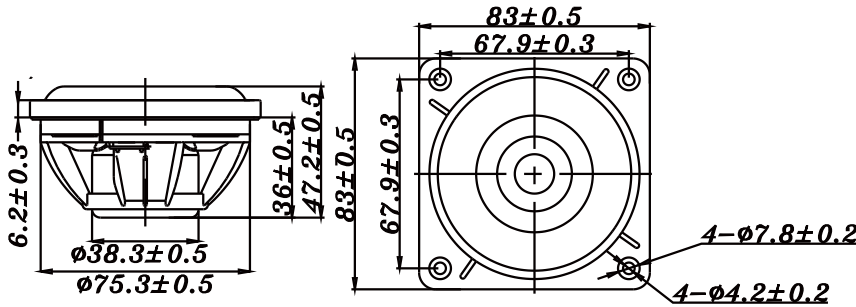


SU SERIES

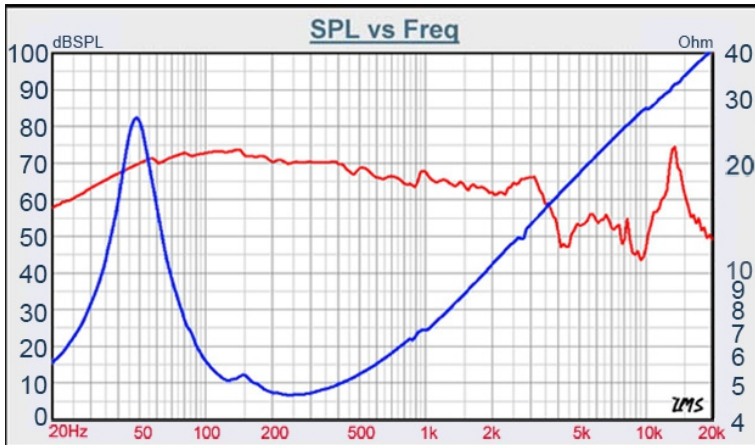
W3-2345S



- 3 INCH SMALL HIGH POWER SUBWOOFER DESIGN
- LONG THROW OF Xmax =7.7mm, F0=45Hz
- ALUM. DIAPHRAGM HAS HEAT SINK FUNTION
- PATENTED STRUCTURE DESIGN
- NEW MATERIAL APPLIED WITH INJECTIONASSEMBLY PROCESS
- NEODYMIUM MAGNET SYSTEM
- SMALL SUB FOR MULTIPLE APPLICATION
- 50W AMP. SUGGESTED

3" SUBWOOFER

DIAPHRAGM MTL	Alum.
SURROUND MTL	Rubber
NOMINAL IMPEDANCE	4 Ω
DCR IMPEDANCE	3.6 Ω
SENSITIVITY 1W/1M	73 dB
FREQUENCY RESPONSE	45-2 KHz
FREE AIR RESONANCE	45 Hz
VOICE COIL DIAMETER	25.4 mm
AIR GAP HEIGHT	3 mm
RATED POWER INPUT	20 W
MAXIMUM POWER INPUT	40 W
FORCE FACTOR, BL	5.88 TM
TYPE OF MAGNET	Neodymium
MOVING MASS	17.96 g
FERROFLUID ENHANCED	No
SUSPENSION COMPLIANCE	621.58 μMN^{-1}
EFFECTIVE PISTON AREA	0.0027 M ²
Levc	0.15 mH
Zo	25 Ω
Xmax	7.7 mm
Vas	0.64 Litr
Qts	0.48
Qms	3.59
Qes	0.56



VOICE: 886.2.26570282 FAX: 886.2.26580166
E-MAIL: info@tb-speaker.com