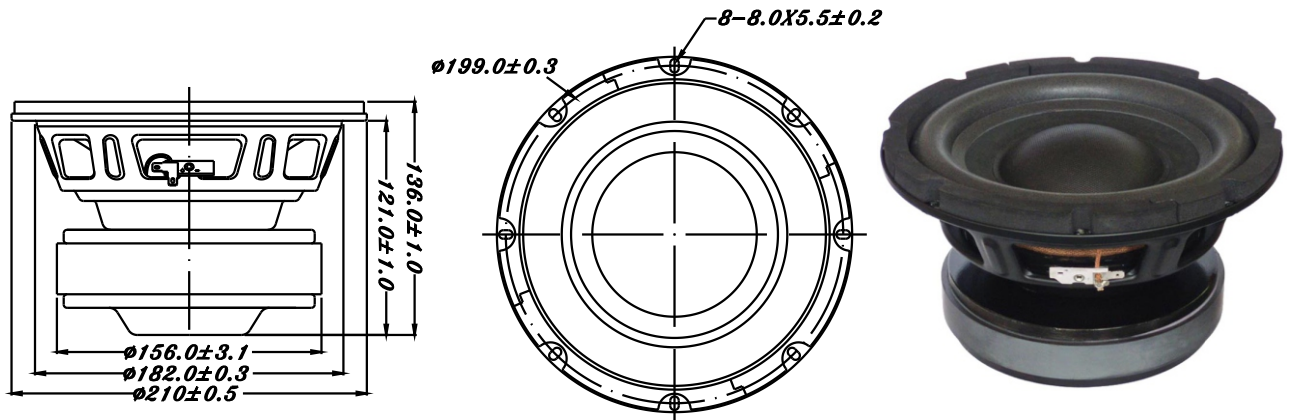


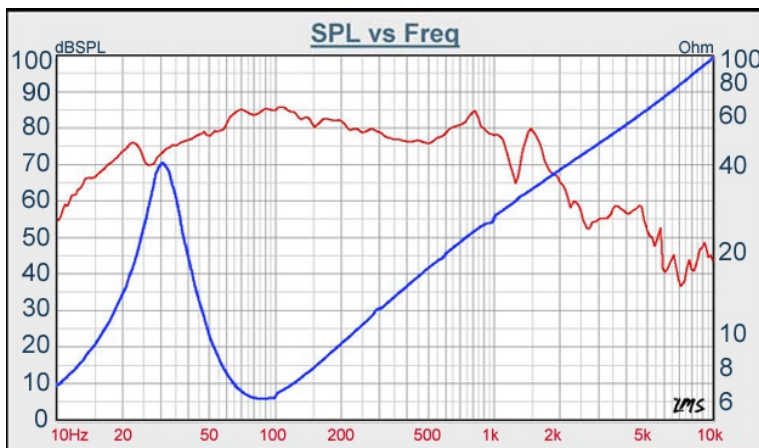
SU SERIES

W8-740P



- LONG THROW HIGH POWER LOADING DESIGN ($X_{max}=12.1$ mm)
- PAPER CONE WITH FOAM SURROUND (LIGHT WEIGHT & HIGH STIFFNESS)
- VENTED POLE PIECE
- STAMPED STEEL BASKET
- SUITABLE FOR SUBWOOFER APPLICATION

8" PAPER SUBWOOFER



| | |
|-----------------------|-----------------------------|
| DIAPHRAGM MTL | Paper |
| SURROUND MTL | Foam |
| NOMINAL IMPEDANCE | 4 Ω |
| DCR IMPEDANCE | 3.2 Ω |
| SENSITIVITY 1W/1m | 84 dB |
| FREQUENCY RESPONSE | 30 - 1K Hz |
| FREE AIR RESONANCE | 30 Hz |
| VOICE COIL DIAMETER | 49.5 mm |
| AIR GAP HEIGHT | 8 mm |
| RATED POWER INPUT | 120 W |
| MAXIMUM POWER INPUT | 240 W |
| FORCE FACTOR, BL | 13.66 TM |
| TYPE OF MAGNET | Ferrite |
| MOVING MASS | 94.26 g |
| FERROFLUID ENHANCED | No |
| SUSPENSION COMPLIANCE | 291.402 μMN^{-1} |
| EFFECTIVE PISTON AREA | 0.022 M^2 |
| Levc | 0.837 mH |
| Zo | 40 Ω |
| X-max | 12.1 mm |
| Vas | 20.03 Litr |
| Qts | 0.28 |
| Qms | 3.69 |
| Qes | 0.31 |

VOICE:886.2.26570282 FAX:886.2.26580166
E-MAIL :info@tb-speaker.com