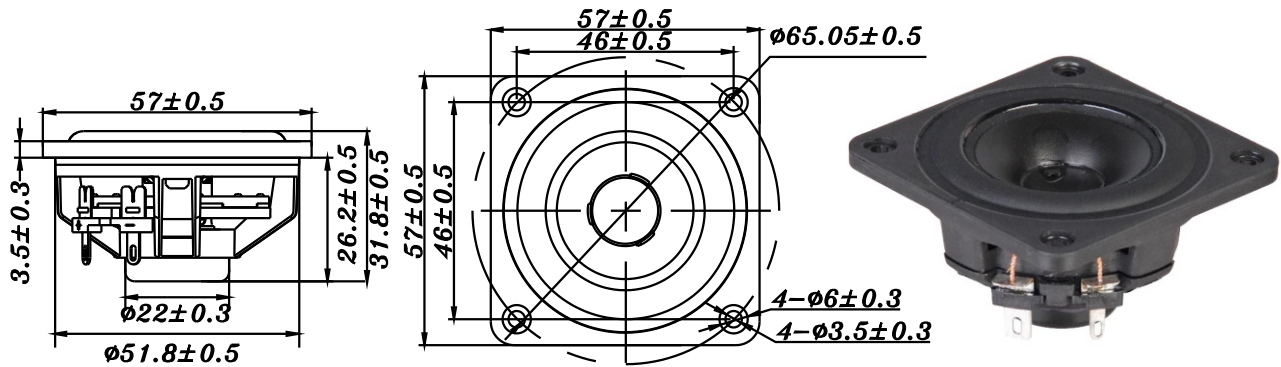


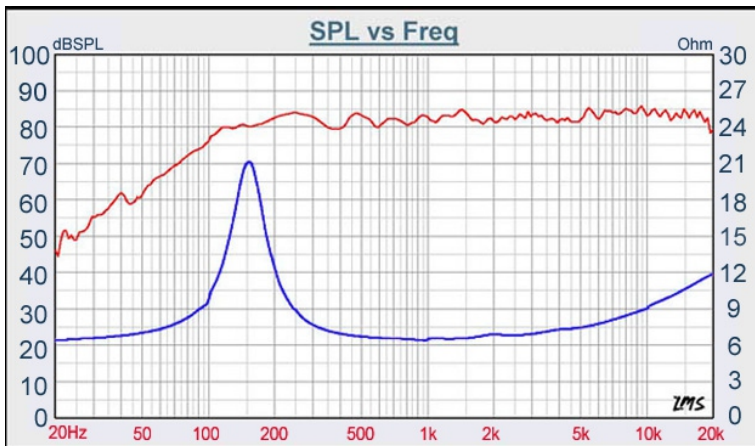
F SERIES

W2-1803S



- FULL RANGE SPEAKER DESIGN
- PP CONE WITH RUBBER SURROUND
- NEODYMIUM MAGNET SYSTEM
- THE BEST CONSISTENCY, THE HIGHEST C/P VALUE
- IT'S GOOD FOR MULTIMEDIA APPLICATION

2" PP FULL RANGE



DIAPHRAGM MTL	PP
SURROUND MTL	Rubber
NOMINAL IMPEDANCE	6 Ω
DCR IMPEDANCE	5.6 Ω
SENSITIVITY 1W/1m	82 dB
FREQUENCY RESPONSE	155 - 20K Hz
FREE AIR RESONANCE	155 Hz
VOICE COIL DIAMETER	14.28 mm
AIR GAP HEIGHT	2 mm
RATED POWER INPUT	3 W
MAXIMUM POWER INPUT	6 W
FORCE FACTOR, BL	2.31 TM
TYPE OF MAGNET	Neodymium
MOVING MASS	0.99 g
FERROFLUID ENHANCED	No
SUSPENSION COMPLIANCE	1056 μMN^{-1}
EFFECTIVE PISTON AREA	0.0013 M^2
Levc	0.023 mH
Zo	21 Ω
X-max	0.7 mm
Vas	0.25 Litr
Qts	0.75
Qms	2.84
Qes	1.02

TB SPEAKERS

VOICE:886.2.26570282 FAX:886.2.26580166
E-MAIL :info@tb-speaker.com