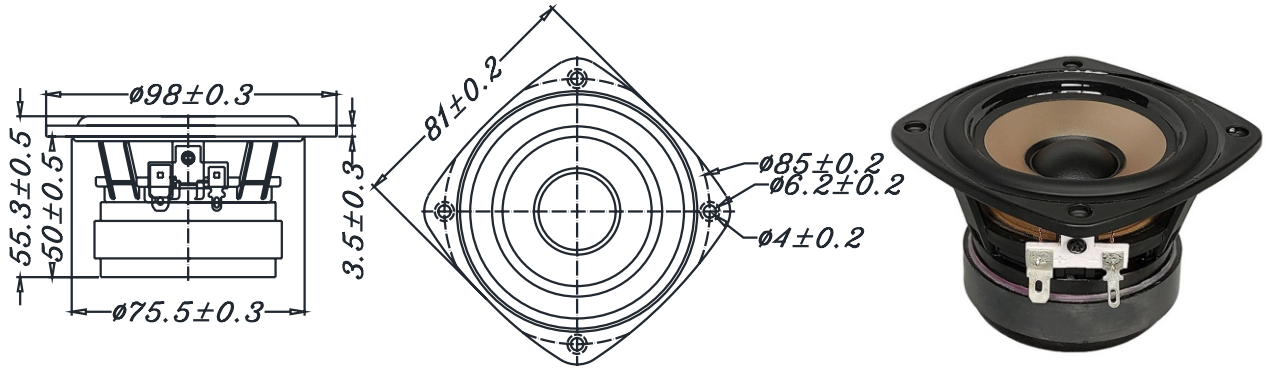


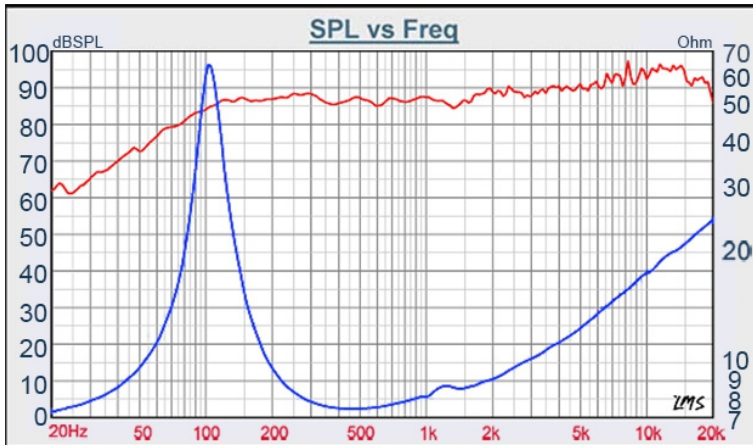
F SERIES

W3-582A



- FULL RANGE FREQUENCY RESPONSE
- DIE CAST BASKET
- PPM CONE WITH SANTOPRENE SURROUND
- CCAW WITH KAPTON BOBBIN

3" PPM CONE/ FULL RANGE



DIAPHRAGM MTL	Natural Color PPM
SURROUND MTL	Santoprene
NOMINAL IMPEDANCE	8 Ω
DCR IMPEDANCE	6.6 Ω
SENSITIVITY 1W/1m	86 dB
FREQUENCY RESPONSE	100-20K Hz
FREE AIR RESONANCE	100 Hz
VOICE COIL DIAMETER	20.4 mm
AIR GAP HEIGHT	6 mm
RATED POWER INPUT	12 W
MAXIMUM POWER INPUT	25 W
FORCE FACTOR, BL	3.56 TM
TYPE OF MAGNET	Ferrite
MOVING MASS	1.996 g
FERROFLUID ENHANCED	No
SUSPENSION COMPLIANCE	1215 μMN ⁻¹
EFFECTIVE PISTON AREA	0.0032 M ²
Levc	0.074 mH
Zo	65 Ω
X-max	0.25 mm
Vas	1.77 Liter
Qts	0.60
Qms	5.83
Qes	0.67



VOICE:886.2.26570282 FAX:886.2.26580166
E-MAIL :info@tb-speaker.com