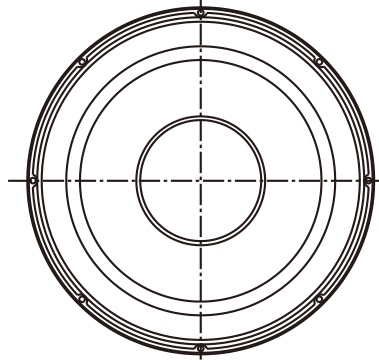
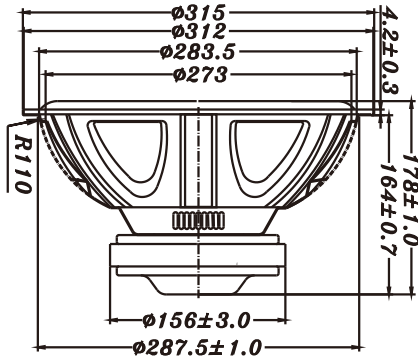


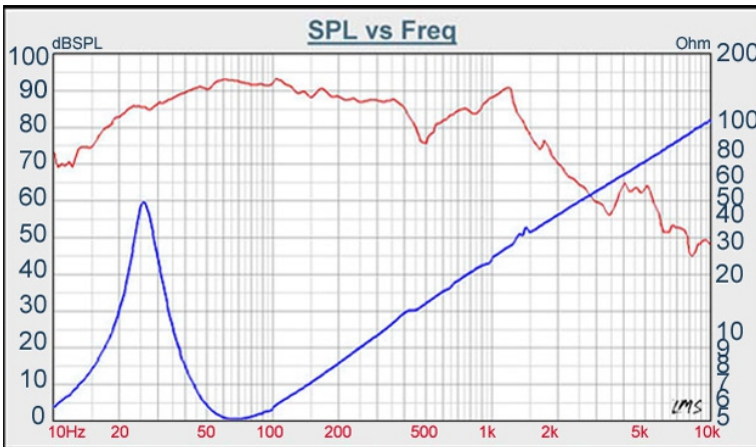
SU SERIES

WQ-760C



- LONG THROW HIGH POWER LOADING DESIGN($X_{max}=12\text{mm}$)
- PAPER CONE WITH BIG ROLL, SPECIAL LESS DAMPING, WIDE RANGE TEMPERATURE RUBBER SURROUND
- STAMPED STEEL BASKET
- VENTED POLE PIECE
- SUITABLE FOR SUBWOOFER APPLICATION

12" PAPER SUBWOOFER



DIAPHRAGM MTL	Paper
SURROUND MTL	RUBBER
NOMINAL IMPEDANCE	4 Ω
DCR IMPEDANCE	3.2 Ω
SENSITIVITY 1W/1m	88 dB
FREQUENCY RESPONSE	25-1.3K Hz
FREE AIR RESONANCE	25 Hz
VOICE COIL DIAMETER	49.5 mm
AIR GAP HEIGHT	8 mm
RATED POWER INPUT	300 W
MAXIMUM POWER INPUT	600 W
FORCE FACTOR, BL	13.57 TM
TYPE OF MAGNET	Ferrite
MOVING MASS	144.68 g
FERROFLUID ENHANCED	No
SUSPENSION COMPLIANCE	269 μMN^{-1}
EFFECTIVE PISTON AREA	0.05 M^2
Levc	0.899 mH
Zo	45 Ω
X-max	12 mm
Vas	95.36 Litr
Qts	0.38
Qms	5.32
Qes	0.40

TB SPEAKERS

VOICE:886.2.26570282 FAX:886.2.26580166
E-MAIL :info@tb-speaker.com