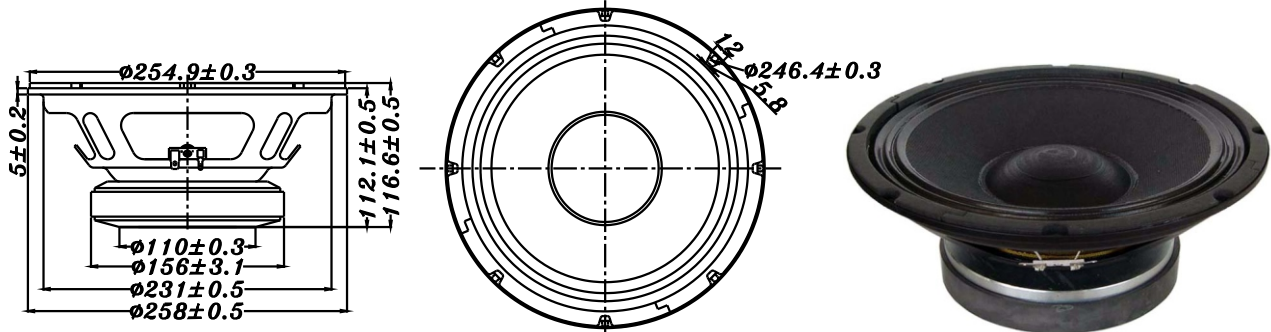


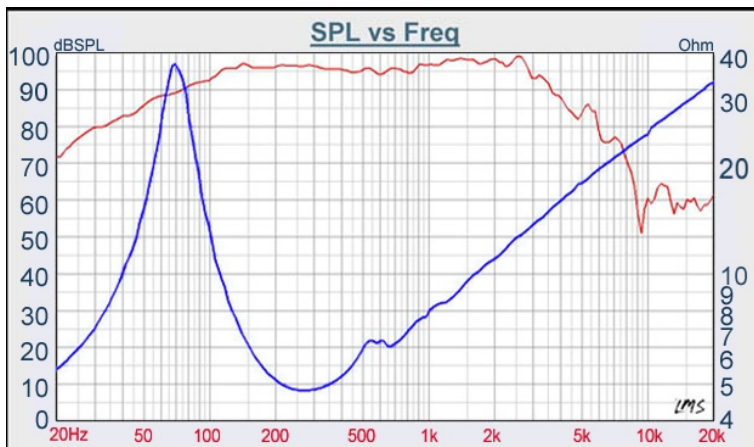
# Prof. SERIES

# WT-998D



- HIGH POWER LOADING DESIGN
- PAPER CONE WITH FABRIC SURROUND (LIGHT WEIGHT & HIGH STIFFNESS)
- STAMPED STEEL BASKET
- CCAW WITH KAPTON BOBBIN
- VOICE COIL IS WITH AIR COOLING SYSTEM

## 10" PROFESSIONAL



DIAPHRAGM MTL	Air Dry Paper
SURROUND MTL	Fabric
NOMINAL IMPEDANCE	4 Ω
DCR IMPEDANCE	3.6 Ω
SENSITIVITY 1W/1m	96 dB
FREQUENCY RESPONSE	70-3.5K Hz
FREE AIR RESONANCE	70 Hz
VOICE COIL DIAMETER	50 mm
AIR GAP HEIGHT	8 mm
RATED POWER INPUT	250 W
MAXIMUM POWER INPUT	500 W
FORCE FACTOR, BL	11.00 TM
TYPE OF MAGNET	Ferrite
MOVING MASS	30 g
FERROFLUID ENHANCED	No
SUSPENSION COMPLIANCE	173.78 $\mu\text{MN}^{-1}$
EFFECTIVE PISTON AREA	0.035 $\text{M}^2$
Levc	0.10 mH
Zo	37 Ω
X-max	2 mm
Vas	30.2 Liter
Qts	0.35
Qms	3.66
Qes	0.39

**TB** SPEAKERS

VOICE:886.2.26570282 FAX:886.2.26580166  
E-MAIL :info@tb-speaker.com