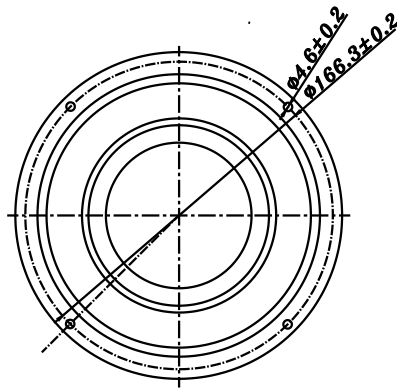
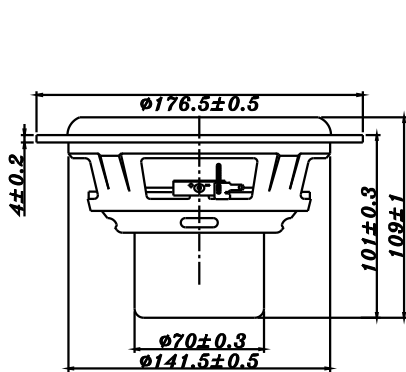


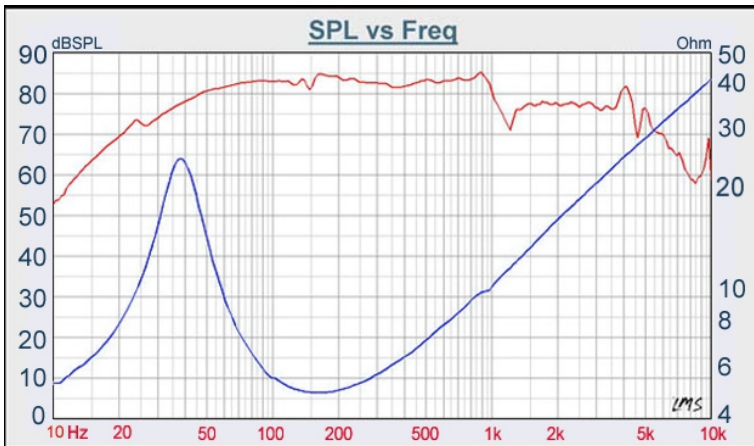
# SU SERIES

# W6-1139SI



- LONG-THROW HIGH-POWER LOADING DESIGN (X-max=13mm)
- PAPER CONE WITH BIG ROLL, SPECIAL LESS DAMPING, WIDE RANGE TEMPERATURE RUBBER SURROUND
- VENTED POLE PIECE, NEODYMIUM MAGNET DESIGN
- STAMPING STEEL BASKET
- SUITABLE FOR SUBWOOFER APPLICATION
- MAGNETICALLY SHIELDED

## 6.5" PAPER SUBWOOFER



|                       |                            |
|-----------------------|----------------------------|
| DIAPHRAGM MTL         | Paper                      |
| SURROUND MTL          | Rubber                     |
| NOMINAL IMPEDANCE     | 4 Ω                        |
| DCR IMPEDANCE         | 3.6 Ω                      |
| SENSITIVITY 1W/1m     | 83 dB                      |
| FREQUENCY RESPONSE    | 38 -800 Hz                 |
| FREE AIR RESONANCE    | 38 Hz                      |
| VOICE COIL DIAMETER   | 38.5 mm                    |
| AIR GAP HEIGHT        | 4 mm                       |
| RATED POWER INPUT     | 50 W                       |
| MAXIMUM POWER INPUT   | 100 W                      |
| FORCE FACTOR, BL      | 8.67 TM                    |
| TYPE OF MAGNET        | Neodymium                  |
| MOVING MASS           | 39.91 g                    |
| FERROFLUID ENHANCED   | No                         |
| SUSPENSION COMPLIANCE | 423.31 $\mu\text{MN}^{-1}$ |
| EFFECTIVE PISTON AREA | 0.0140 $\text{M}^2$        |
| Levc                  | 0.34 mH                    |
| Zo                    | 25 Ω                       |
| X-max                 | 13 mm                      |
| Vas                   | 11.78 Litr                 |
| Qts                   | 0.40                       |
| Qms                   | 2.65                       |
| Qes                   | 0.47                       |



VOICE:886.2.26570282 FAX:886.2.26580166  
E-MAIL :info@tb-speaker.com